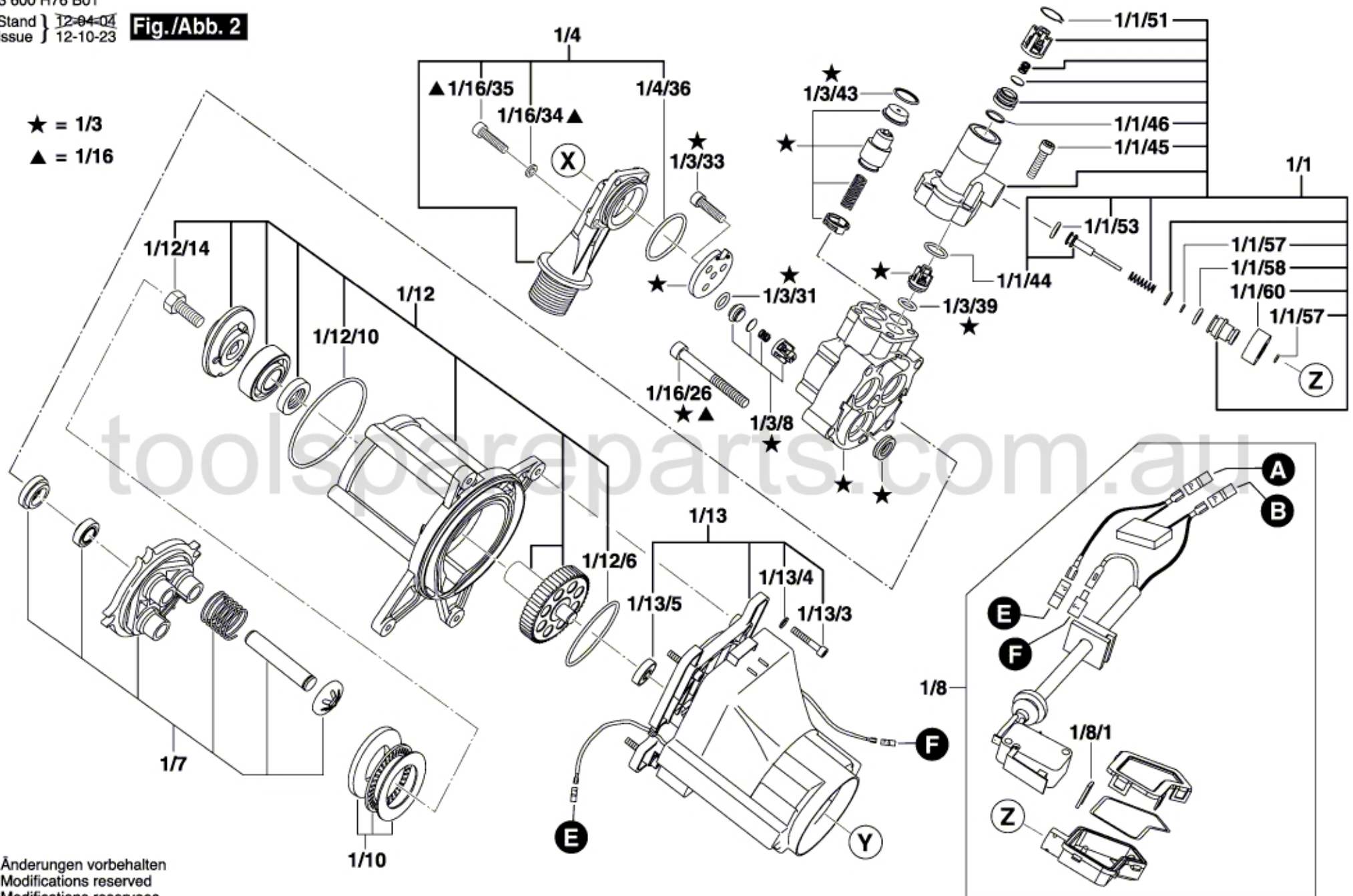


3 600 H76 B01

Stand } 12-04-04
Issue } 12-10-23

Fig./Abb. 2

★ = 1/3
▲ = 1/16



Änderungen vorbehalten
Modifications reserved
Modifications reserves
Salvo modificaciones